

Notes:

1.Material:

Housing:Thermoplastic UL 94V-0,Black
Contact:Copper Alloy

2.Finish:Plating Gold

3.Specification

Current rating: 5A AC / DC
Instant Current: 7A AC / DC
Contact resistance: 30mΩ
Insulation resistance:100MΩ
Dielectric Voltage:500V
Temperature range: -40°C~+105°C

4.Order information:

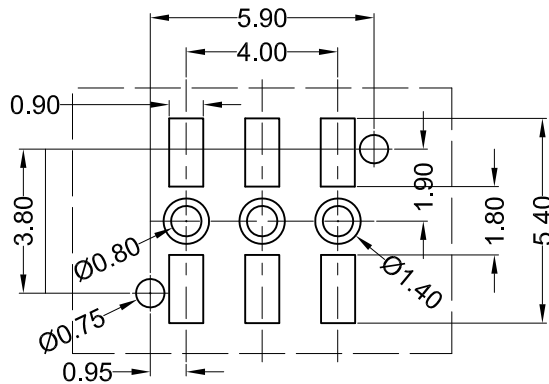
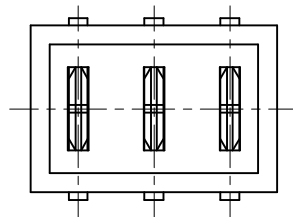
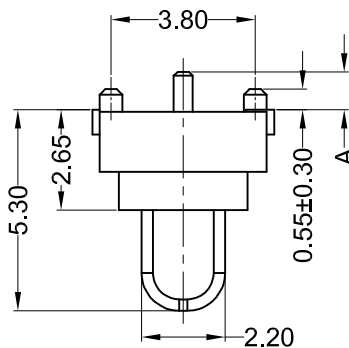
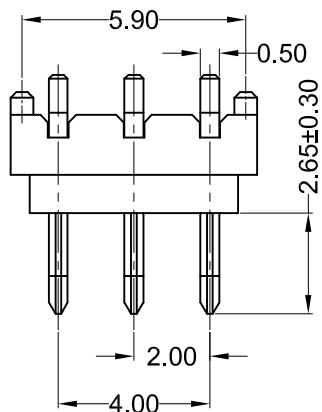
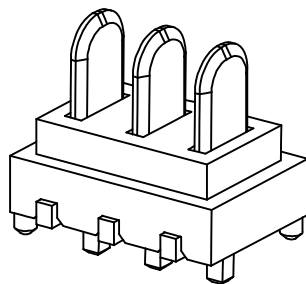
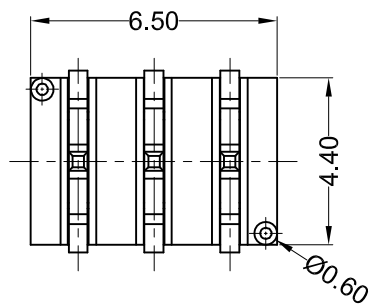
XC M 20 34-N-XX-A-XX
① ② ③ ④ ⑤ ⑥

- ① Appearance type: F-Female; M-Male
- ② SERIES No.
- ③ Foolproof hole place: L-Left; R-Right; N-Without
- ④ Row No.-Pin No.: XX-05~12P
- ⑤ Welding Board Angle: D-180°; A-90°; S-SMT
- ⑥ Planting Category: G1-Gold Flash ; G2-Gold Plated 2u" ; G3-Gold Plated 3u";

Poles	Dimensions(mm)			
	A	B	C	D
05	15.65	8.00	13.15	14.25
06	17.65	10.00	15.15	16.25
07	19.65	12.00	17.15	18.25
08	21.65	14.00	19.15	20.25
09	23.65	16.00	21.15	22.25
10	25.65	18.00	23.15	24.25
11	27.65	20.00	25.15	26.25
12	29.65	22.00	27.15	28.25

MARK	DESCRIPTION	DATE	REVISED	APPROVED	UNSPECIFIED TOLERANCES
Δx					ANGULAR ±5°
Δx					L ≤ 4 ±0.2
Δx					4 < L ≤ 16 ±0.3
					16 < L ≤ 63 ±0.4
					L > 63 ±0.5
REVISIONS					
www.xk-dg.cn www.helloxkb.com www.helloxkb.cn					

DSND		DATE		SCALE: N/A	MODEL TYPE: 2.00 Battery Conn.Male Type
DWN		DATE		VIEW:	PART NO.:
CHKD		DATE		UNIT: mm	DWG NO.: XC M 20 34-N-XX-A-XX
APPD		DATE		SIZE: A4	
XKB INDUSTRIAL PRECISION CO.,LIMITED					WEIGHT 1.0g
					SHEET 1/1
					REVISION A0



Recommended P.C.B. Layout
Layout Tolerance = ± 0.05 mm

NOTES:

1.Material:

Housing:PA6T&LCP UL 94V-0,Black

Terminal:Copper Alloy

2.Finish:Plating Gold

3.Specification

Rated Voltage(Max.):30V AC/DC

Dielectric Strength:1KV AC For 1 Minute

Between Adjacent Terminal,No Breakdown

Insulation Resistance:1000 Megohms Min. 500V

DC For 1 Minute Between Adjacent Terminal

Operating Temperature:-20°C-80°C

4.Order information:

X CM 200-007- 03-D-XX-A-X

① ② ③ ④ ⑤ ⑥ ⑦ ⑧

① Appearance type: F-Female; M-Male

② SERIES No.

③ CODING:

④ Row No.-Pin No.: 03-03P

⑤ Welding Board Angle: D-180°

⑥ Planting Category:

G01-Gold Flash ; G03-Gold Plated 3u"

G05-Gold Plated 5u";G10-Gold Plated 10u"

G15-Gold Plated 15u";G30-Gold Plated 30u"

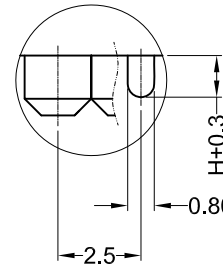
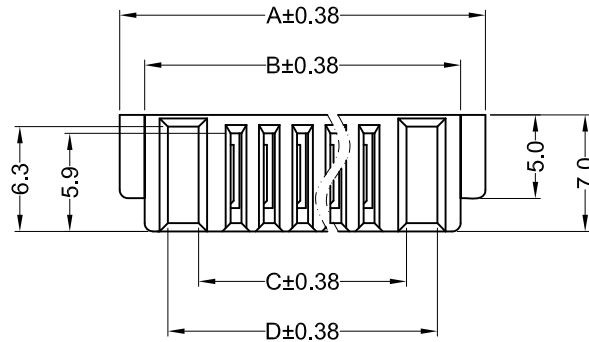
⑦ A Size: 01-1.5; 02-1.8; 03-1.0

⑧ Material : L-LCP; T-PA6T

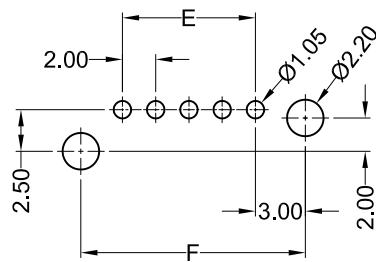
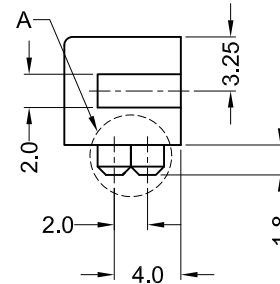
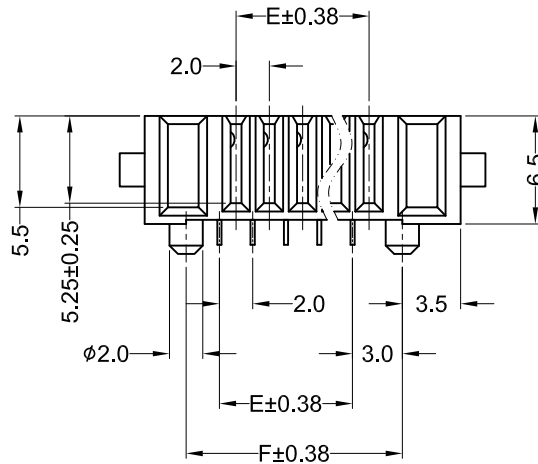
MARK	DESCRIPTION	DATE	REVISED	APPROVED	UNSPECIFIED TOLERANCES
ΔX					ANGLAR ±5°
ΔX					L ≤ 4 ±0.2
ΔX					4 < L ≤ 16 ±0.3
					16 < L ≤ 63 ±0.4
					L > 63 ±0.5
					REVISIONS
					www.xk-dg.cn www.helloxkb.com www.helloxkb.cn

DSND	DATE	SCALE: N/A	MODEL TYPE:
DWN <td>DATE <td>VIEW: </td> <td>2.00mm Battery Conn.Female Type</td> </td>	DATE <td>VIEW: </td> <td>2.00mm Battery Conn.Female Type</td>	VIEW:	2.00mm Battery Conn.Female Type
CHKD <td>DATE <td>UNIT: mm <td>PART NO.:</td> </td></td>	DATE <td>UNIT: mm <td>PART NO.:</td> </td>	UNIT: mm <td>PART NO.:</td>	PART NO.:
APPD <td>DATE <td>SIZE: A4 <td>DWG NO.:</td> </td></td>	DATE <td>SIZE: A4 <td>DWG NO.:</td> </td>	SIZE: A4 <td>DWG NO.:</td>	DWG NO.:
			XCM200-007-03-D-XX-A-X
			WEIGHT
			1.0g
			SHEET
			1/1
			REVISION
			A0

KKB INDUSTRIAL PRECISION CO.,LIMITED



DETAIL A
Scale 4:1



Recommended P.C.B Layout
General Tolerance±0.05

Notes:

1.Material:

Housing:Thermoplastic UL 94V-0,Black
Contact:Copper Alloy

2.Finish:Plating Gold

3.Specification

Current rating: 5A AC / DC
Instant Current: 7A AC / DC
Contact resistance: 30mΩ
Insulation resistance:100MΩ
Dielectric Voltage:500V
Temperature range: -40°C~+105°C

4.Order information:

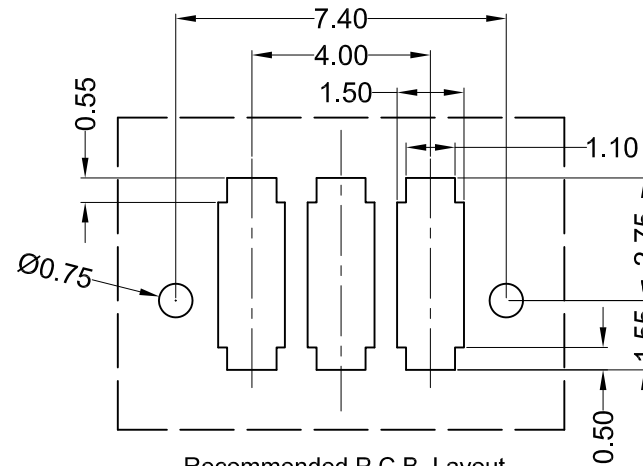
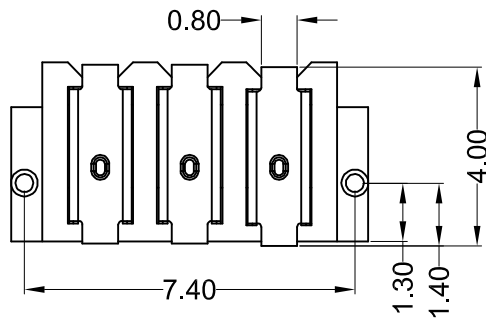
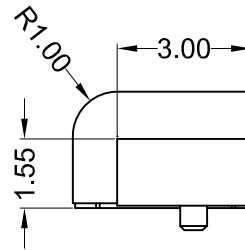
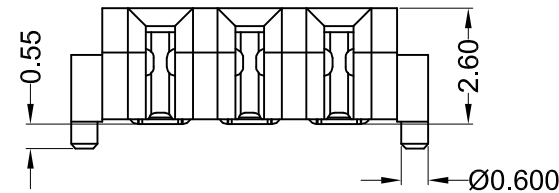
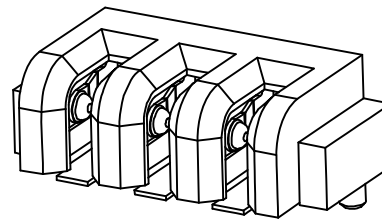
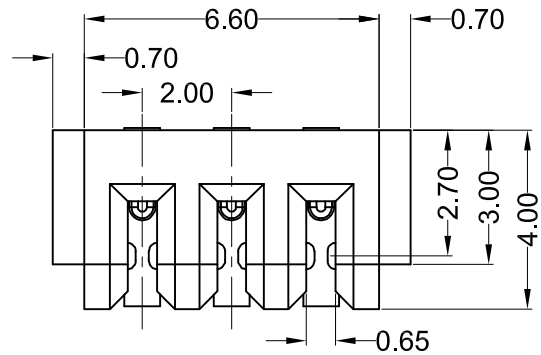
X C F 200-063 XX X XX H
① ② ③ ④ ⑤ ⑥

- ① Appearance type: F-Female; M-Male
- ② SERIES No.
- ③ Row No.-Pin No.: XX-05~10P
- ④ Welding Board Angle: D-180°
- ⑤ Planting Category: G1-Gold Flash ; G2-Gold Plated 3u"
G3-Gold Plated 5u"; G4-Gold Plated 10u";
- ⑥ H- High1=1.25; 2=1.75 ; 3=3.00

Poles	Dimensions(mm)					
	A	B	C	D	E	F
05	22.00	19.00	12.50	16.20	8.00	13.00
06	24.00	21.00	14.50	18.20	10.00	15.00
07	26.00	23.00	16.50	20.20	12.00	17.00
08	28.00	25.00	18.50	22.20	14.00	19.00
09	30.00	27.00	20.50	24.20	16.00	21.00
10	32.00	29.00	22.50	26.20	18.00	23.00
11	34.00	31.00	24.50	28.20	20.00	25.00
12	36.00	33.00	26.50	30.20	22.00	27.00

MARK	DESCRIPTION	DATE	REVISED	APPROVED	UNSPECIFIED TOLERANCES
ΔX					ANGLAR ±5°
ΔX					L ≤ 4 ±0.2
ΔX					4 < L ≤ 16 ±0.3
					16 < L ≤ 63 ±0.4
					L > 63 ±0.5
REVISIONS					
www.xk-dg.cn www.helloxkb.com www.helloxkb.cn					

DSND		DATE		SCALE: N/A	MODEL TYPE: 2.00 Battery Conn.Female Type	
DWN		DATE		VIEW:	PART NO.:	
CHKD		DATE		UNIT: mm	DWG NO.:	
APPD		DATE		SIZE: A4	XCF200-063XXXXXH	
XKB INDUSTRIAL PRECISION CO.,LIMITED				WEIGHT	SHEET	REVISION
				1.0g	1/1	A0



Recommended P.C.B. Layout
Layout Tolerance = ± 0.05 mm

NOTES:

1.Material:

Housing:PA6T&LCP UL 94V-0,Black

Terminal:Copper Alloy

2.Finish:Plating Gold

3.Specification

Rated Voltage(Max.):30V AC/DC

Dielectric Strength:1KV AC For 1 Minute

Between Adjacent Terminal,No Breakdown

Insulation Resistance:1000 Megohms Min. 500V

DC For 1 Minute Between Adjacent Terminal

Operating Temperature:-20°C-80°C

4.Order information:

XCF 200-003- 03 - S - XX - X

① ② ③ ④ ⑤ ⑥ ⑦

① Appearance type: F-Female; M-Male

② SERIES No.

③ CODING:

④ Row No.-Pin No.: 03-03P

⑤ Welding Board Angle: S-SMT

⑥ Planting Category:

G01-Gold Flash ; G03-Gold Plated 3u"

G05-Gold Plated 5u";G10-Gold Plated 10u"

G15-Gold Plated 15u";G30-Gold Plated 30u"

⑦ Material : L-LCP; T-PA6T

MARK	DESCRIPTION	DATE	REVISED	APPROVED	UNSPECIFIED TOLERANCES
△X					ANGULAR ±5°
△X					L ≤ 4 ±0.2
△X					4 < L ≤ 16 ±0.3
					16 < L ≤ 63 ±0.4
					L > 63 ±0.5

DSND	DATE	SCALE: N/A	MODEL TYPE: 2.00mm Battery Conn.Female Type
DWN <td>DATE <td>VIEW: </td> <td>PART NO.:</td> </td>	DATE <td>VIEW: </td> <td>PART NO.:</td>	VIEW:	PART NO.:
CHKD <td>DATE <td>UNIT: mm <td>DWG NO.:</td> </td></td>	DATE <td>UNIT: mm <td>DWG NO.:</td> </td>	UNIT: mm <td>DWG NO.:</td>	DWG NO.:
APPD <td>DATE <td>SIZE: A4 <td>XCF200-003-03-S-XX-X</td> </td></td>	DATE <td>SIZE: A4 <td>XCF200-003-03-S-XX-X</td> </td>	SIZE: A4 <td>XCF200-003-03-S-XX-X</td>	XCF200-003-03-S-XX-X
XKB INDUSTRIAL PRECISION CO.,LIMITED			WEIGHT 1.0g
			SHEET 1/1
			REVISION A0